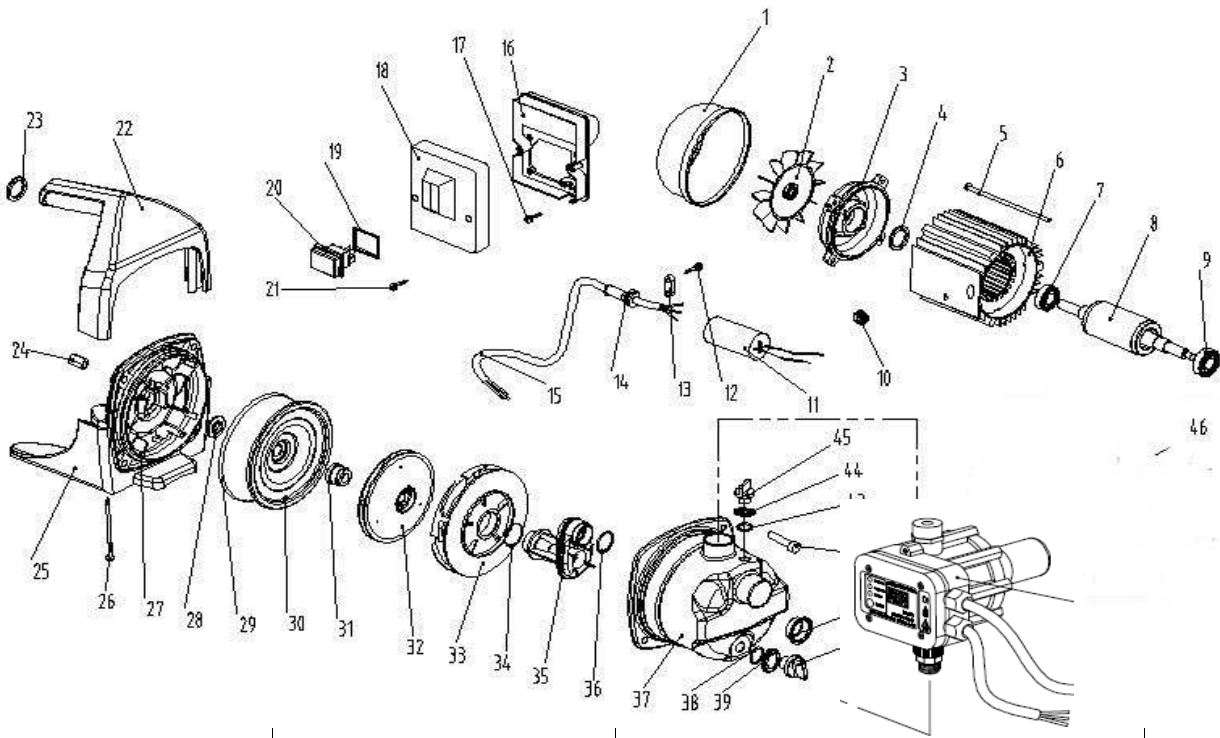


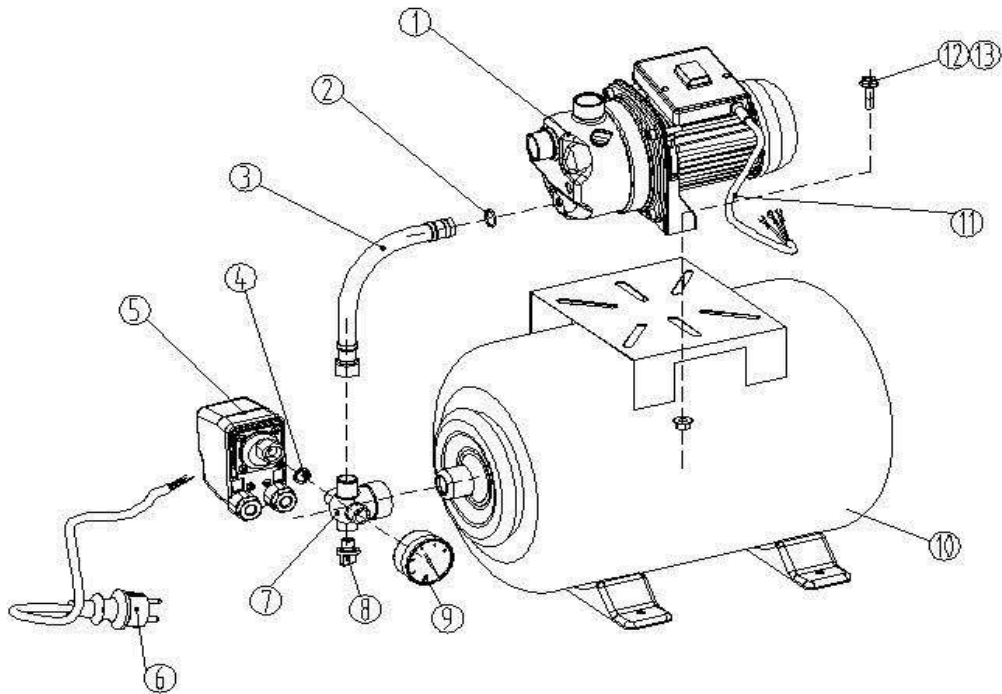
			NOV 08 LIST
PART NUMBER	USE	DESCRIPTION	PRICE EX.GST
BIA-INOX120-1	USE BIA-INOX60-1		
BIA-INOX120-10	USE BIA-INOX60-10		
BIA-INOX120-11		CAPACITOR 450V 20µF	14.00
BIA-INOX120-12	USE BIA-INOX60-12		
BIA-INOX120-13	USE BIA-INOX60-13		
BIA-INOX120-14	USE BIA-INOX60-14		
BIA-INOX120-15	USE BIA-INOX60-15		
BIA-INOX120-16	USE BIA-INOX60-16		
BIA-INOX120-17	USE BIA-INOX60-17		
BIA-INOX120-18	USE BIA-INOX60-18		
BIA-INOX120-19	USE BIA-INOX60-19		
BIA-INOX120-2	USE BIA-INOX60-2		
BIA-INOX120-20	USE BIA-INOX60-20		
BIA-INOX120-21	USE BIA-INOX60-21		
BIA-INOX120-22	USE BIA-INOX60-22		
BIA-INOX120-23	USE BIA-INOX60-23		
BIA-INOX120-24	USE BIA-INOX60-24		
BIA-INOX120-25	USE BIA-INOX60-25		
BIA-INOX120-26	USE BIA-INOX60-26		
BIA-INOX120-27	USE BIA-INOX60-27		
BIA-INOX120-28	USE BIA-INOX60-28		
BIA-INOX120-29	USE BIA-INOX60-29		
BIA-INOX120-3	USE BIA-INOX60-3		
BIA-INOX120-30	USE BIA-INOX60-30		
BIA-INOX120-31	USE BIA-INOX60-31		
BIA-INOX120-32		IMPELLER	10.00
BIA-INOX120-33	USE BIA-INOX60-33		
BIA-INOX120-34	USE BIA-INOX60-34		
BIA-INOX120-35	USE BIA-INOX120-351		
BIA-INOX120-351	FLOW DIRECTING		7.00
BIA-INOX120-36	USE BIA-INOX60-36		
BIA-INOX120-37	USE BIA-INOX60-37		
BIA-INOX120-38	USE BIA-INOX60-38		
BIA-INOX120-39	USE BIA-INOX60-39		
BIA-INOX120-4	USE BIA-INOX60-4		
BIA-INOX120-40	USE BIA-INOX60-40		
BIA-INOX120-41	USE BIA-INOX60-41		
BIA-INOX120-42	USE BIA-INOX60-42		
BIA-INOX120-43	USE BIA-INOX60-43		
BIA-INOX120-44	USE BIA-INOX60-44		
BIA-INOX120-45	USE BIA-INOX60-45		
BIA-INOX120-5		LONG HEX SCREW	4.00
BIA-INOX120-5	USE BIA-INOX60-5		
BIA-INOX120-6		MOTOR STATOR SUBASSEMBLY	16.00
BIA-INOX120-6		MOTOR ROTOR	157.00
BIA-INOX120-7	USE BIA-INOX60-7		
BIA-INOX120-9	USE BIA-INOX60-9		
BIA-INOX60-1		MOTOR FAN COVER	7.00
BIA-INOX60-10		ALUMINUM HOUSING RUBBER SLEEVE	3.00
BIA-INOX60-11		CAPACITOR 450V 12µF	9.00
BIA-INOX60-12		BOLT ST3.9X20	3.00
BIA-INOX60-13		CABLE CLAMP	3.00
BIA-INOX60-14		CABLE SLEEVE	3.00
BIA-INOX60-15		CABLE AND PLUG	9.00
BIA-INOX60-16		TERMINAL BOX BOTTER	4.00
BIA-INOX60-17		SCREW M4X10	3.00
BIA-INOX60-18		TERMINAL BOX COVER	5.00
BIA-INOX60-19		SWITCH SEAL WASHER	3.00
BIA-INOX60-2		FAN	4.00
BIA-INOX60-20		SWITCH	7.00
BIA-INOX60-21		SCREW ST3.5X16	3.00
BIA-INOX60-22		TYPE A HANDLE	9.00

BIA-INOX60-23		TYPE A HANDLE COVER	3.00
BIA-INOX60-24		CONNECT NUT	5.00
BIA-INOX60-25		BOTTOM	9.00
BIA-INOX60-26		BOLT	4.00
BIA-INOX60-27		MOTOR FRONT COVER	27.00
BIA-INOX60-28		WATER THROWING RING	3.00
BIA-INOX60-29		O SEALING RING 135X3.5	5.00
BIA-INOX60-3		MOTOR REAR COVER	8.00
BIA-INOX60-30		FLANG	12.00
BIA-INOX60-31		MECHANICAL SEAL	22.00
BIA-INOX60-32		IMPELLER	10.00
BIA-INOX60-33		FLOW-DIRECTING PLATE	12.00
BIA-INOX60-34		O SEALING RING 31.5X2	3.00
BIA-INOX60-35	USE BIA-INOX60-351		
BIA-INOX60-351		FLOW-DIRECTING	7.00
BIA-INOX60-36		O SEALING RING 26.52.65	3.00
BIA-INOX60-37		STAINLESS PUMP PODY 01	68.00
BIA-INOX60-38		SEALING WASHER	3.00
BIA-INOX60-39		BIG SEALING BUSHING	3.00
BIA-INOX60-4		SPRING WASHER	3.00
BIA-INOX60-40		BRASS STOPPER	5.00
BIA-INOX60-41		BRASS NON-RETURN VALVE	14.00
BIA-INOX60-42		INSIDE HEX BOLT	5.00
BIA-INOX60-43		O SEALING RING 13X3.55	3.00
BIA-INOX60-44		SMALL SEALING BUSHING	3.00
BIA-INOX60-45		BRASS STOPPER	5.00
BIA-INOX60-5		LONG HEX SCREW	7.00
BIA-INOX60-6		MOTOR STATOR SUBASSEMBLY	14.00
BIA-INOX60-7		ROLL BEARING 6201Z	5.00
BIA-INOX60-8		MOTOR ROTOR	117.00
BIA-INOX60-9		ROLL BEARING 6202Z	5.00
BIA-INOX80-1	USE BIA-INOX60-1		
BIA-INOX80-10	USE BIA-INOX60-10		
BIA-INOX80-11		CAPACITOR 450V 16µF	9.00
BIA-INOX80-12	USE BIA-INOX60-12		
BIA-INOX80-13	USE BIA-INOX60-13		
BIA-INOX80-14	USE BIA-INOX60-14		
BIA-INOX80-15	USE BIA-INOX60-15		
BIA-INOX80-16	USE BIA-INOX60-16		
BIA-INOX80-17	USE BIA-INOX60-17		
BIA-INOX80-18	USE BIA-INOX60-18		
BIA-INOX80-19	USE BIA-INOX60-19		
BIA-INOX80-2	USE BIA-INOX60-2		
BIA-INOX80-20	USE BIA-INOX60-20		
BIA-INOX80-21	USE BIA-INOX60-21		
BIA-INOX80-22	USE BIA-INOX60-22		
BIA-INOX80-23	USE BIA-INOX60-23		
BIA-INOX80-24	USE BIA-INOX60-24		
BIA-INOX80-25	USE BIA-INOX60-25		
BIA-INOX80-26	USE BIA-INOX60-26		
BIA-INOX80-27	USE BIA-INOX60-27		
BIA-INOX80-28	USE BIA-INOX60-28		
BIA-INOX80-29	USE BIA-INOX60-29		
BIA-INOX80-3	USE BIA-INOX60-3		
BIA-INOX80-30	USE BIA-INOX60-30		
BIA-INOX80-31	USE BIA-INOX60-31		
BIA-INOX80-32		IMPELLER	10.00
BIA-INOX80-33	USE BIA-INOX60-33		
BIA-INOX80-34	USE BIA-INOX60-34		
BIA-INOX80-35	USE BIA-INOX60-351		
BIA-INOX80-36	USE BIA-INOX60-36		
BIA-INOX80-37	USE BIA-INOX60-37		
BIA-INOX80-38	USE BIA-INOX60-38		
BIA-INOX80-39	USE BIA-INOX60-39		
BIA-INOX80-4	USE BIA-INOX60-4		

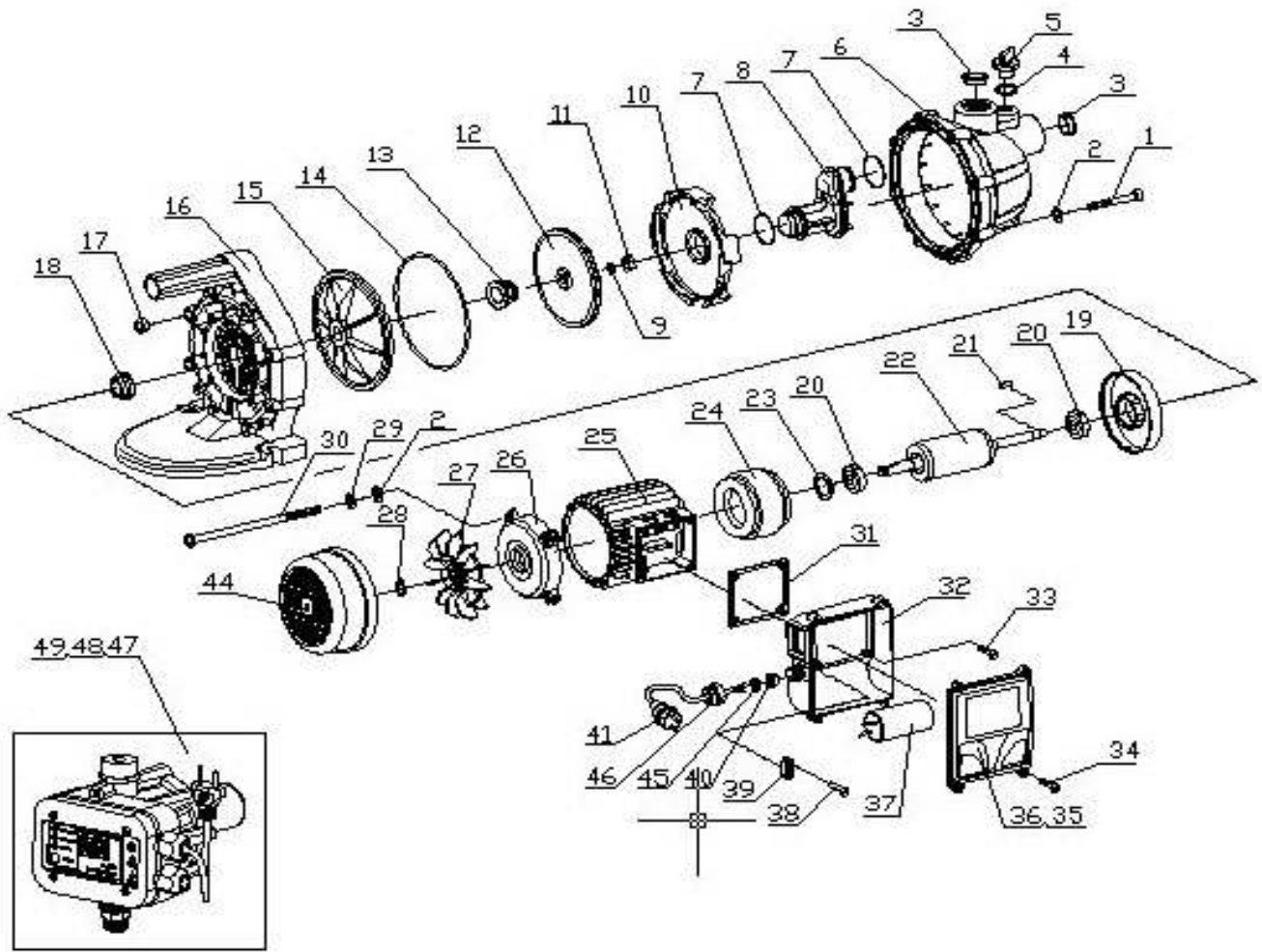
BIA-INOX80-40	USE BIA-INOX60-40		
BIA-INOX80-41	USE BIA-INOX60-41		
BIA-INOX80-42	USE BIA-INOX60-42		
BIA-INOX80-43	USE BIA-INOX60-43		
BIA-INOX80-44	USE BIA-INOX60-44		
BIA-INOX80-45	USE BIA-INOX60-45		
BIA-INOX80-5	USE BIA-INOX60-5		
BIA-INOX80-6		MOTOR STATOR SUBASSEMBLY	14.00
BIA-INOX80-7	USE BIA-INOX60-7		
BIA-INOX80-8		MOTOR ROTOR	117.00
BIA-INOX80-9	USE BIA-INOX60-9		
BIA-INOXPC-46		ELECTRON PRESSURE SWITCH	246.00
BIA-INOXPT-10		TANK	295.00
BIA-INOXPT-11		CONNECT CABLE	5.00
BIA-INOXPT-12		HEX SCREW	3.00
BIA-INOXPT-13		HEX SCREW	3.00
BIA-INOXPT-2A		SMALL SEALING BUSHING	3.00
BIA-INOXPT-2B		O SEALING RING	3.00
BIA-INOXPT-3		CONNECT TUBE	16.00
BIA-INOXPT-4		PRESSURE SWITCH WASHER	3.00
BIA-INOXPT-5		PRESSURE SWITCH	31.00
BIA-INOXPT-6		CABLE AND PLUG	9.00
BIA-INOXPT-7		TEE	12.00
BIA-INOXPT-8		SMALL KNOB	4.00
BIA-INOXPT-9		PRESSURE METER	14.00
BIA-TECH40PC-1	SCREW		2.00
BIA-TECH40PC-2	WASHER		2.00
BIA-TECH40PC-4	O RING		2.00
BIA-TECH40PC-5	STOPPER		2.00
BIA-TECH40PC-6	PUMP BODY		16.00
BIA-TECH40PC-7	O RING		2.00
BIA-TECH40PC-8	JET/VENTURI		4.00
BIA-TECH40PC-9	WASHER		2.00
BIA-TECH40PC-10	DIFFUSER		9.00
BIA-TECH40PC-11	NUT		2.00
BIA-TECH40PC-12	IMPELLER		8.00
BIA-TECH40PC-13	MECHANICAL SEAL		39.00
BIA-TECH40PC-14	O RING		2.00
BIA-TECH40PC-15	SEALING PLATE		7.00
BIA-TECH40PC-16	BASE		13.00
BIA-TECH40PC-17	NUT		2.00
BIA-TECH40PC-18	SLINGER		2.00
BIA-TECH40PC-19	FRONT COVER		7.00
BIA-TECH40PC-20	BEARING		13.00
BIA-TECH40PC-21	KEY		2.00
BIA-TECH40PC-22	ROTOR		30.00
BIA-TECH40PC-23	SPRING WASHER		2.00
BIA-TECH40PC-24	STATOR		81.00
BIA-TECH40PC-25	HOUSING		16.00
BIA-TECH40PC-26	BACK COVER		7.00
BIA-TECH40PC-27	FAN		2.00
BIA-TECH40PC-28	FENDER RING		2.00
BIA-TECH40PC-29	WASHER		2.00
BIA-TECH40PC-30	NUT		2.00
BIA-TECH40PC-31	SEALING WASHER		2.00
BIA-TECH40PC-32	TERMINAL BOX		3.00
BIA-TECH40PC-33	SCREW		2.00
BIA-TECH40PC-34	SCREW		2.00
BIA-TECH40PC-35	O RING		2.00
BIA-TECH40PC-36	TERMINAL COVER		3.00
BIA-TECH40PC-37	CAPACITOR		7.00
BIA-TECH40PC-38	SCREW		2.00
BIA-TECH40PC-41	CABLE AND PLUG		10.00
BIA-TECH40PC-44	FAN COVER		3.00
BIA-TECH40PC-47	USE BIA-INOXPC-46	ELECTRON PRESSURE SWITCH	246.00



BIA-INOXPC

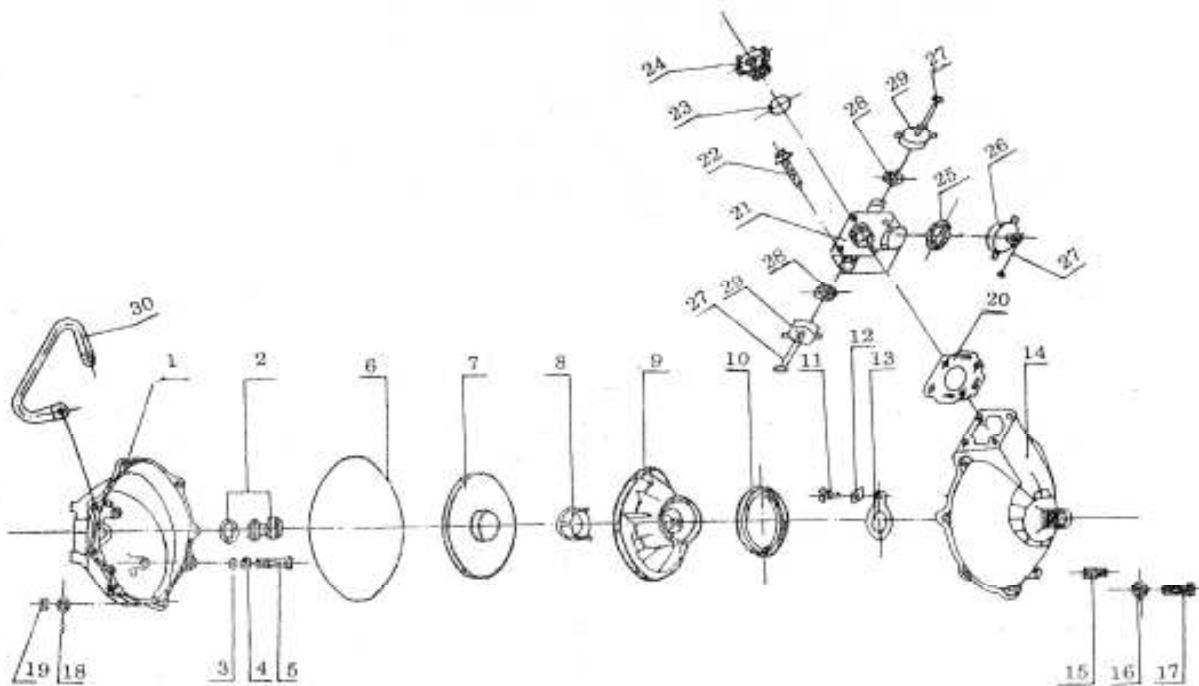


BIA-INOXPT



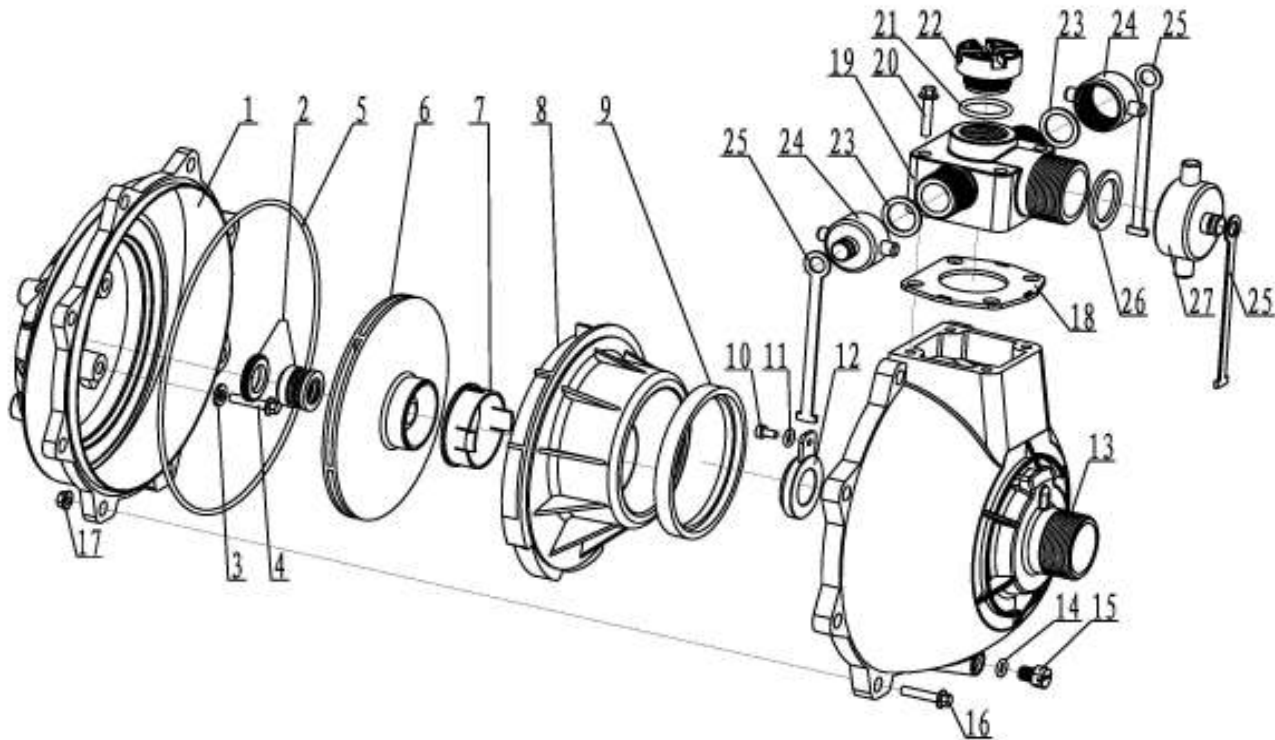
BIA-TECH40PC

BIA-FP1		PUMP CASING	26.00
BIA-FP2		MECHANICAL SEAL	104.00
BIA-FP3		O RING	4.00
BIA-FP4		STAINLESS WASHER	5.00
BIA-FP5		STAINLESS BOLT 5/16"-24UNF	5.00
BIA-FP6		O RING	16.00
BIA-FP7		IMPELLER	99.00
BIA-FP8		PLASTIC BUSH	10.00
BIA-FP9		DIFFUSER	64.00
BIA-FP10		RUBBER SEAL	17.00
BIA-FP11		SCREW	4.00
BIA-FP12		WASHER	4.00
BIA-FP13		BOTTOM VALVE	23.00
BIA-FP14		PUMP CASING	155.00
BIA-FP15		DRAINING PLUG	4.00
BIA-FP16		WASHER	4.00
BIA-FP17		BOLT M10	4.00
BIA-FP18		SPRING WASHER	3.00
BIA-FP19		NUT M10	4.00
BIA-FP20		RUBBER GASKET	9.00
BIA-FP21		OUTLET	72.00
BIA-FP22		SCREW M8	4.00
BIA-FP23		O RING	4.00
BIA-FP24		PLASTIC PLUG	10.00
BIA-FP25		RUBBER SEAL	4.00
BIA-FP26		OUTLET CAP 1-1/2"	14.00
BIA-FP27		PLASTIC RIBBON	1.00
BIA-FP28		RUBBER SEAL	4.00
BIA-FP29		OUTLET CAP 1"	9.00
BIA-FP30		ROLL FRAME	155.00



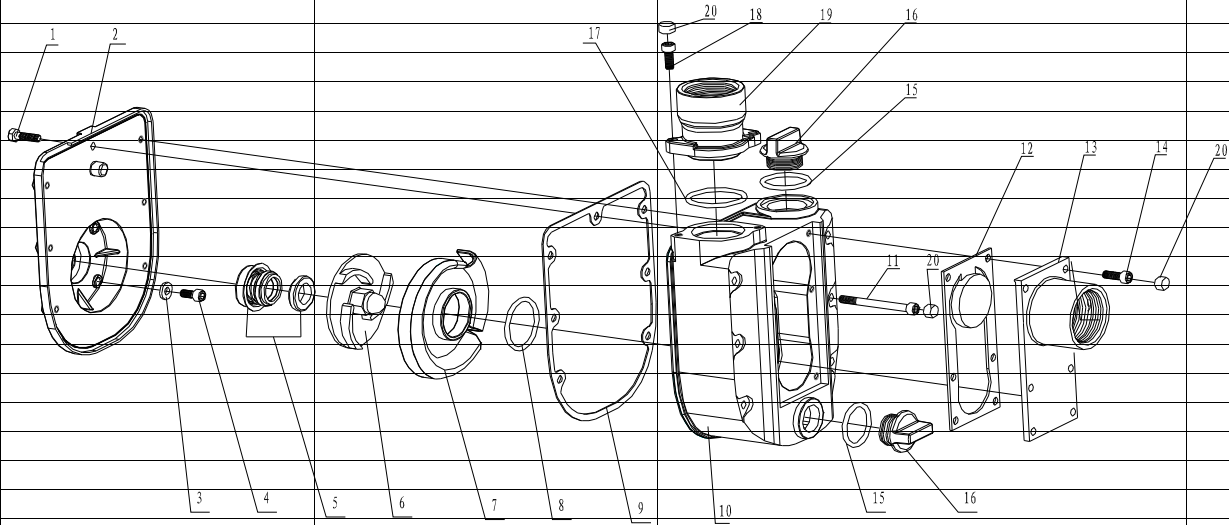
BIA-GX40CX			
BIA-GX40CX-Y			

BIA-HP15A-1		PUMP COVER	23.00
BIA-HP15A-2		MECHANICAL SEAL	33.00
BIA-HP15A-3		SEALED WASHER 8mm	3.00
BIA-HP15A-4		HEX BOLT M8x35	4.00
BIA-HP15A-5		O RING 230x3.55mm	14.00
BIA-HP15A-6		IMPELLER	91.00
BIA-HP15A-7		DIFFUSER SEALING BUSH	9.00
BIA-HP15A-8		DIFFUSER	59.00
BIA-HP15A-9		DIFFUSER SEALING RING	16.00
BIA-HP15A-10		CROSS BOLT M5x8mm	3.00
BIA-HP15A-11		WASHER	1.00
BIA-HP15A-12		CHECK VALVE	21.00
BIA-HP15A-13		PUMP BODY	143.00
BIA-HP15A-14		O RING 8x2.65	3.00
BIA-HP15A-15		HEX PLUG M10	3.00
BIA-HP15A-16		HEX BOLT M8x30mm	3.00
BIA-HP15A-17		HEX NUT M8	3.00
BIA-HP15A-18		OUTLET GASKET	8.00
BIA-HP15A-19		OUTLET FLANGE	65.00
BIA-HP15A-20		HEX BOLT M8x55	3.00
BIA-HP15A-21		O RING 30x3.55mm	3.00
BIA-HP15A-22		PRIMING PLUG	9.00
BIA-HP15A-23		1" WASHER	3.00
BIA-HP15A-24		1" OUTLET CAP	8.00
BIA-HP15A-25		OUTLET CAP STRAP	3.00
BIA-HP15A-26		1.5" WASHER	3.00
BIA-HP15A-27		1.5" OUTLET CAP	13.00



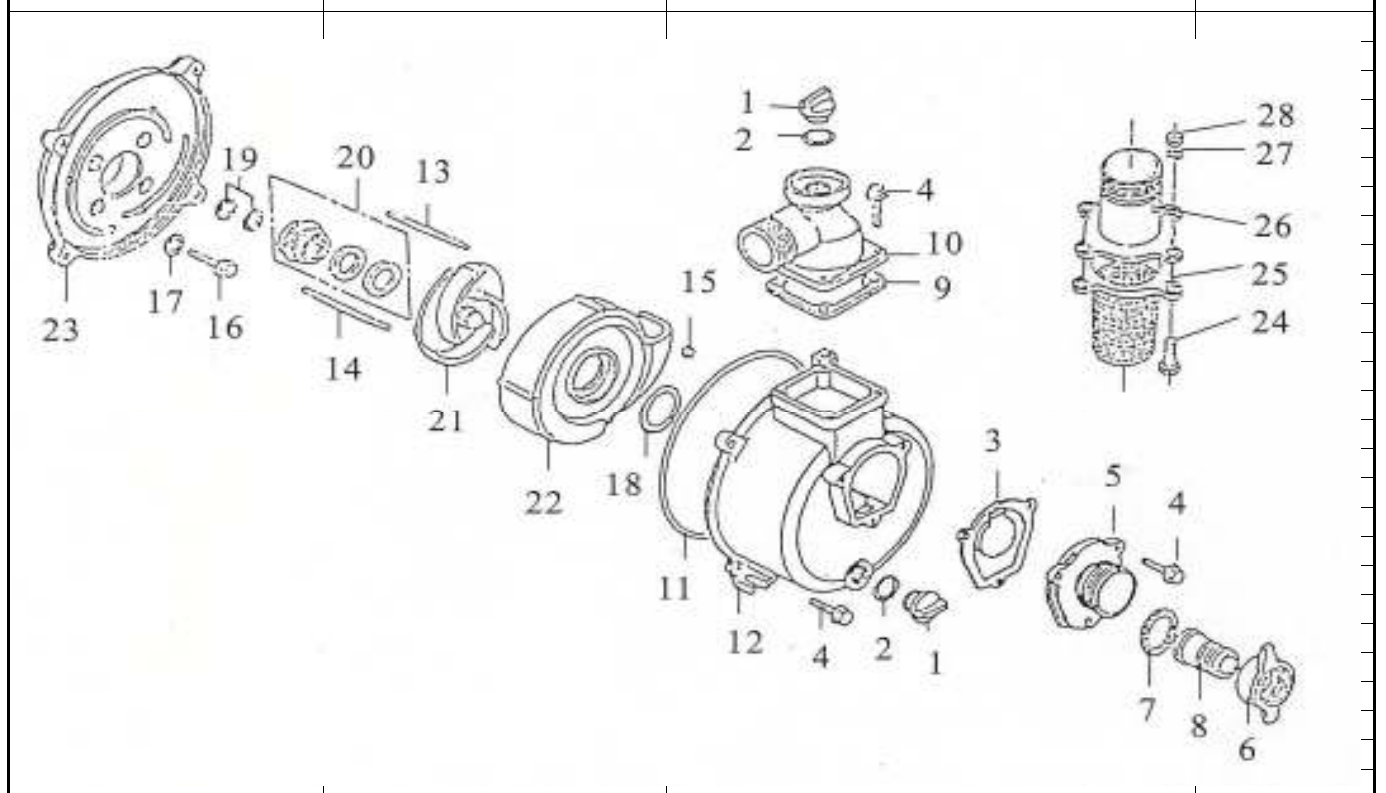
BIA-HP15A			

BIA-WP10A-1	HEX BOLT	3.00
BIA-WP10A-2	PUMP COVER	23.00
BIA-WP10A-3	NYLON WASHER	1.00
BIA-WP10A-4	HEX BOLT	3.00
BIA-WP10A-5	MECHANICAL SEAL	26.00
BIA-WP10A-6	IMPELLER	52.00
BIA-WP10A-7	DIFFUSER	26.00
BIA-WP10A-8	O RING	1.00
BIA-WP10A-9	GASKET	7.00
BIA-WP10A-10	PUMP BODY	65.00
BIA-WP10A-11	BOLT	3.00
BIA-WP10A-12	CHECK VALVE	7.00
BIA-WP10A-13	INLET FLANGE	13.00
BIA-WP10A-14	BOLT	3.00
BIA-WP10A-15	O RING	1.00
BIA-WP10A-16	DRAIN/PRIMING PLUG	3.00
BIA-WP10A-17	O RING	1.00
BIA-WP10A-18	HEX BOLT	3.00
BIA-WP10A-19	OUTLET FLANGE	13.00
BIA-WP10A-20	PLASTIC COVER	23.00



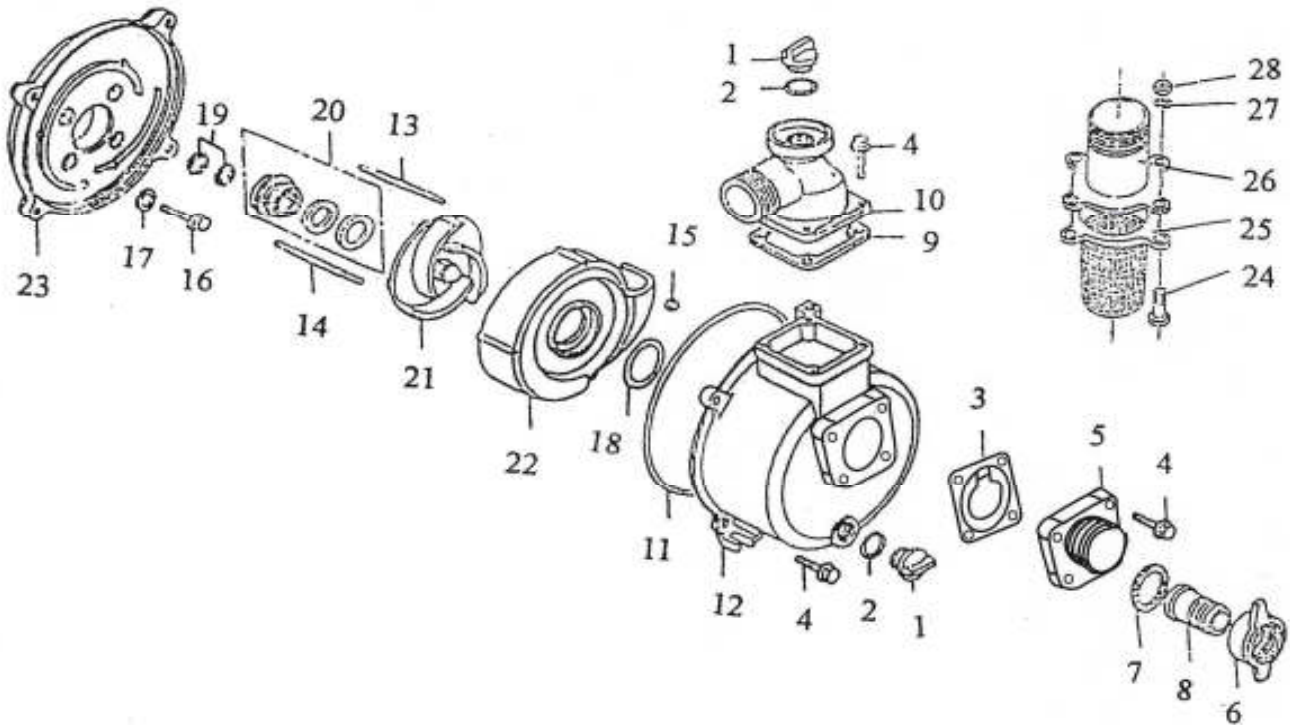
BIA-WP10AA

G50C-1		PLUG	4.00
G50C-2		PLUG PACKING	1.00
G50C-3		CHECK VALVE	23.00
G50C-4		BOLT M8 x 25	4.00
G50C-5		SUCTION FLANGE	59.00
G50C-6		JOINT GRIP	7.00
G50C-7		RUBBER PACKING	3.00
G50C-8		PIPE JOINT	7.00
G50C-9		RUBBER PAD	3.00
G50C-10		DISCHARGE FLANGE	59.00
G50C-11		O RING	3.00
G50C-12		PUMP HOUSING	168.00
G50C-13		BOLT M6 x 50	4.00
G50C-14		BOLT M6 x 63	4.00
G50C-15		NUT M6	1.00
G50C-16		BOLT M8 x 28	4.00
G50C-17		ALUMINIUM WASHER	1.00
G50C-18		RUBBER PACKING RING	3.00
G50C-19/20		MECHANICAL SEAL ASSY	104.00
G50C-21		IMPELLER	104.00
G50C-22		VOLUTE CASING	78.00
G50C-23		PUMP COVER	78.00
G50C-24		BOLT M6 x 20	4.00
G50C-25		STRAINER MESH	7.00
G50C-26		STRAINER PIPE	7.00
G50C-27		WASHER M6	1.00
G50C-28		NUT M6	1.00



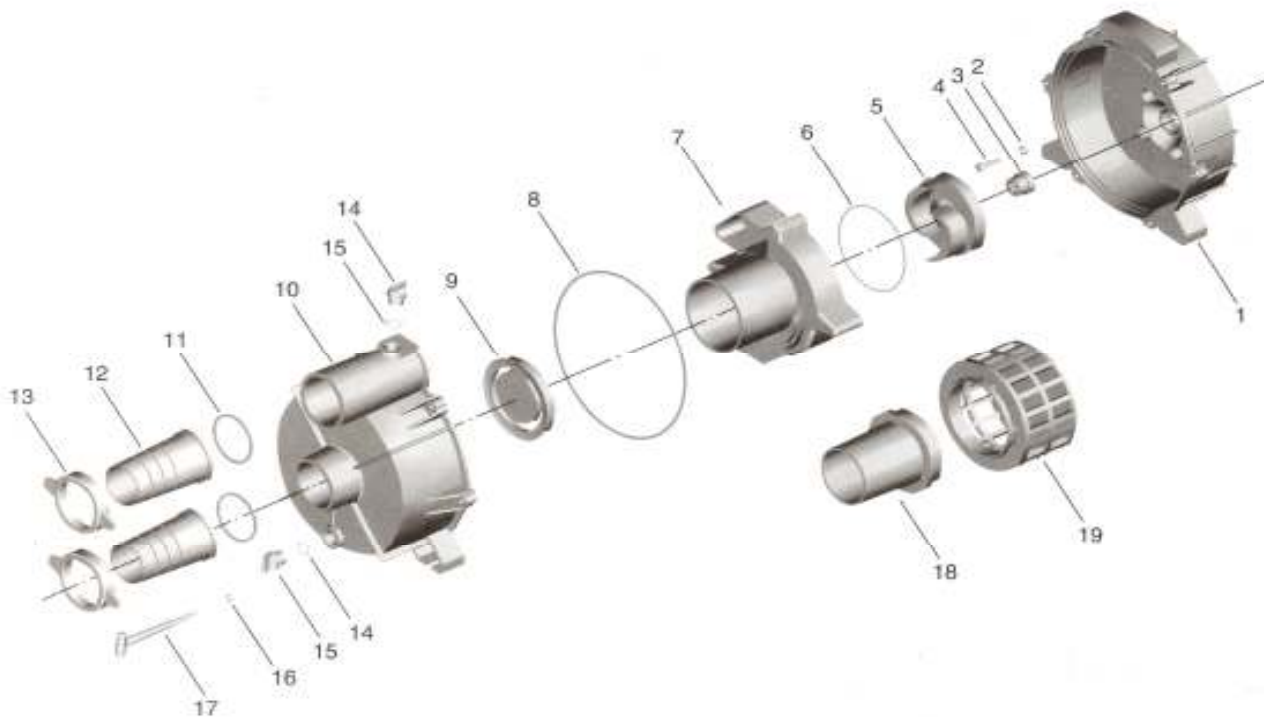
BIA-G50C			
BIA-G50C-Y			

G80C-1		PLUG	4.00
G80C-2		PLUG PACKING	1.00
G80C-3		CHECK VALVE	23.00
G80C-4		BOLT M10 x 30	4.00
G80C-5		SUCTION FLANGE	59.00
G80C-6		JOINT GRIP	7.00
G80C-7		RUBBER PACKING	3.00
G80C-8		PIPE JOINT	7.00
G80C-9		RUBBER PAD	3.00
G80C-10		DISCHARGE FLANGE	59.00
G80C-11		O RING	3.00
G80C-12		PUMP HOUSING	168.00
G80C-13		BOLT M6 x 63.5	4.00
G80C-14		BOLT M6 x 63.5	4.00
G80C-15		NUT M6	1.00
G80C-16		BOLT M8 x 30	4.00
G80C-17		ALUMINIUM WASHER	1.00
G80C-18		RUBBER PACKING RING	3.00
G80C-19/20		MECHANICAL SEAL ASSY	104.00
G80C-21		IMPELLER	104.00
G80C-22		VOLUTE CASING	78.00
G80C-23		PUMP COVER	78.00
G80C-24		BOLT M6 x 30	4.00
G80C-25		STRAINER MESH	7.00
G80C-26		STRAINER PIPE	7.00
G80C-27		WASHER M6	1.00
G80C-28		NUT M6	1.00



BIA-G80C
BIA-G80C-Y

G80TP-1		PUMP COVER	78.00
G80TP-2		SPRING WASHER	1.00
G80TP-3		MECHANICAL SEAL	117.00
G80TP-4		BOLT M8 x 35	4.00
G80TP-5		IMPELLER	104.00
G80TP-6		RUBBER PACKING RING	3.00
G80TP-7		VOLUTE CASING	91.00
G80TP-8		O RING	3.00
G80TP-9		CHECK VALVE	23.00
G80TP-10		PUMP HOUSING	169.00
G80TP-11		RUBBER PACKING	3.00
G80TP-12		PIPE JOINT	20.00
G80TP-13		JOINT GRIP	13.00
G80TP-14		PLUG	7.00
G80TP-15		PLUG PACKING	1.00
G80TP-16		O RING	3.00
G80TP-17		"T" BOLT 1/4"-20 UNF	3.00
G80TP-18		CONNECTING PIPE	20.00
G80TP-19		STRAINER MESH	13.00



BIA-G80TPC			