



DS: 01-11-08
Subject: BIANCO...
POOL PUMPS
MODEL: VARIOUS
Distribution: ALL

PRODUCT PROFILE



Pool Pumps

The BIANCO range of pool pumps provides strong and quiet pumping performance in a compact, easy to install package.

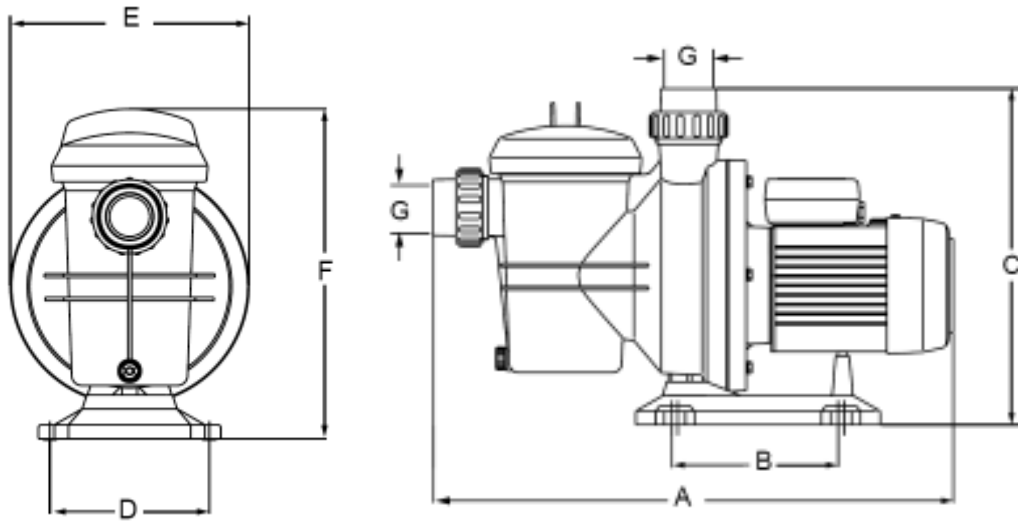
- Self priming for ease of use.
- Constructed of strong corrosion and U.V. resistant materials for long and reliable working life.
- Powerful pumping performance delivers flow rates for rapid water turnover.
- Easy to remove, see through strainer lid allowing easy removal of debris.
- Large strainer basket allows long intervals between cleaning.
- 2m power lead with 10amp Australian three pin plug fitted to all models.
- Drain plug enables pump casing to be drained for easy maintenance.
- Heavy duty totally enclosed fan cooled double insulated motor.
- Electrically approved safe installation in the pool zone.
- Built-in thermal overload protects the motor against damage from overheating.
- Every unit is pressure and performance tested in factory ensuring quality and reliability.
- Barrel Unions included for ease of installation and service (FCP).
- High performance carbon ceramic mechanical seals for long life.
- Stainless steel motor shaft resists corrosion.
- Elevated pump mounting corrosion resistant base keeps moisture well away from the motor (FCP).
- Larger strainer basket to protect the pump and reduce frequent cleaning.

Electrical Approval No: NSW 23665

Model	Description
BIA-CLP5001 Barcode: 9312198848366	500W, 240V, Flows to 150 l/m, heads to 10.0 m
BIA-FCP370S Barcode: 9312198848373	370W, 240V, Flows to 215 l/m, heads to 12.5 m
BIA-FCP750S Barcode: 9312198848397	750W, 240V, Flows to 290 l/m, heads to 15.1 m
BIA-FCP1100S Barcode: 9312198848403	1100W, 240V, Flows to 500 l/m, heads to 17.0 m
BIA-FCP1500S Barcode: 9312198848410	1500W, 240V, Flows to 550 l/m, heads to 18.5 m



Distributed by **White International Pty Ltd** A.B.N. 48 000 119 380
52 – 60 Ashford Avenue NSW 2214 PO Box 4755 Milperra BC 1891
Ph (02) 9783 6000 Fax (02) 9783 6001
SALES HOTLINE 1300 783 601 SALES FAXLINE 02 9783 6003



MODEL	Q max (l/min)	H max (m)	P1 (kW)	P2 (kW)	A	C μF	η (%)	dBA ±1	A mm	B mm	C mm	D mm	E mm	F mm	G mm	Kg
CLP5001	133	10.0	1.0	0.50	4.6	10	50	<70	438	n/a	145	120	174	218	1-1/2" BSPF	6.4
FCP370S	215	12.5	0.8	0.37	3.6	12	46	<70	550	170	345	160	238	330	40mm PVC	8.7
FCP550S	265	15.2	1.1	0.55	5.1	16	50	<70	550	170	345	160	238	330	40 mm PVC	9.3
FCP750S	290	17.0	1.2	0.75	5.8	16	63	70	550	170	345	160	238	330	40 mm PVC	10.4
FCP1100S	500	17.0	1.9	1.1	7.4	30	58	71	707	200	482	230	275	430	50 mm PVC	16.6
FCP1500S	550	18.7	2.2	1.5	9.3	35	68	72	707	200	482	230	275	430	50 mm PVC	19.0

Electrical Approval Number NSW23665
 Liquid Temperature 4°C min 35°C max
 Storage Temperature -10°C min 55°C max
 Relative Humidity 95% max

Note: for domestic applications, pool pumps are sized so that the total volume of the swimming pool is turned over in 6 hours.



Distributed by **White International Pty Ltd** A.B.N. 48 000 119 380
 52 – 60 Ashford Avenue NSW 2214 PO Box 4755 Milperra BC 1891
 Ph (02) 9783 6000 Fax (02) 9783 6001
SALES HOTLINE 1300 783 601 SALES FAXLINE 02 9783 6003